

ARVO Desk



SONDHUS

Design and Production
New Milford, CT

ARVO Desk

Assembly Instruction Manual

Thank you for purchasing an ARVO Desk. Carefully read and understand the contents of this Assembly Instruction Manual to ensure proper assembly and use.

Please contact info@sondhus.com with questions & comments.

Safety Information

Important Safety Document save these instructions



Caution

This denotes information about a situation that may result in injury or physical damage if the caution is ignored or the product is used improperly.

Do not stand, sit, or climb on this piece of furniture.

Disassemble when moving or transporting.

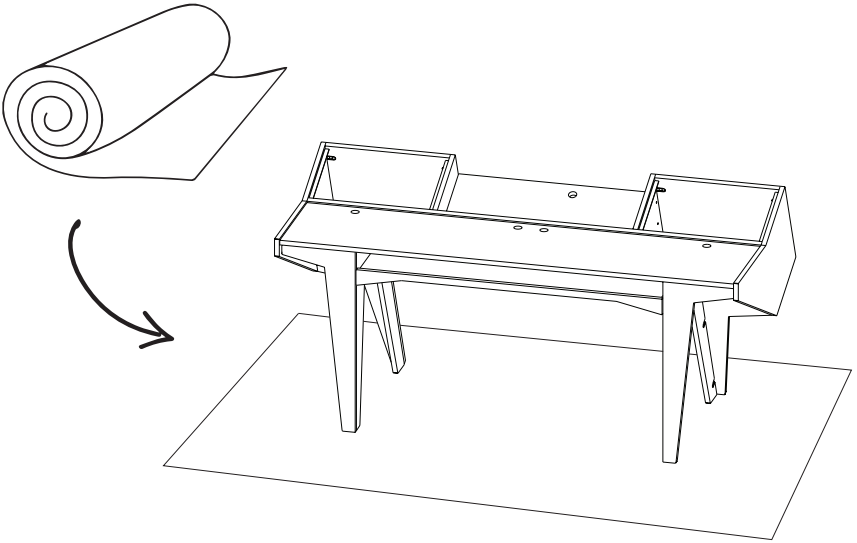


Warning

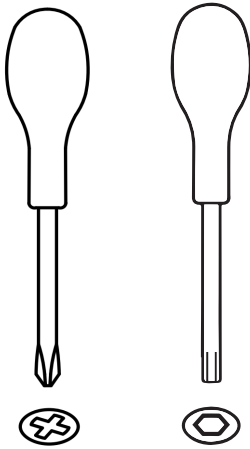
Observe the following precautions for assembly. Failure to do so may result in instability and risk. Before use check all fasteners and supports for tightness.

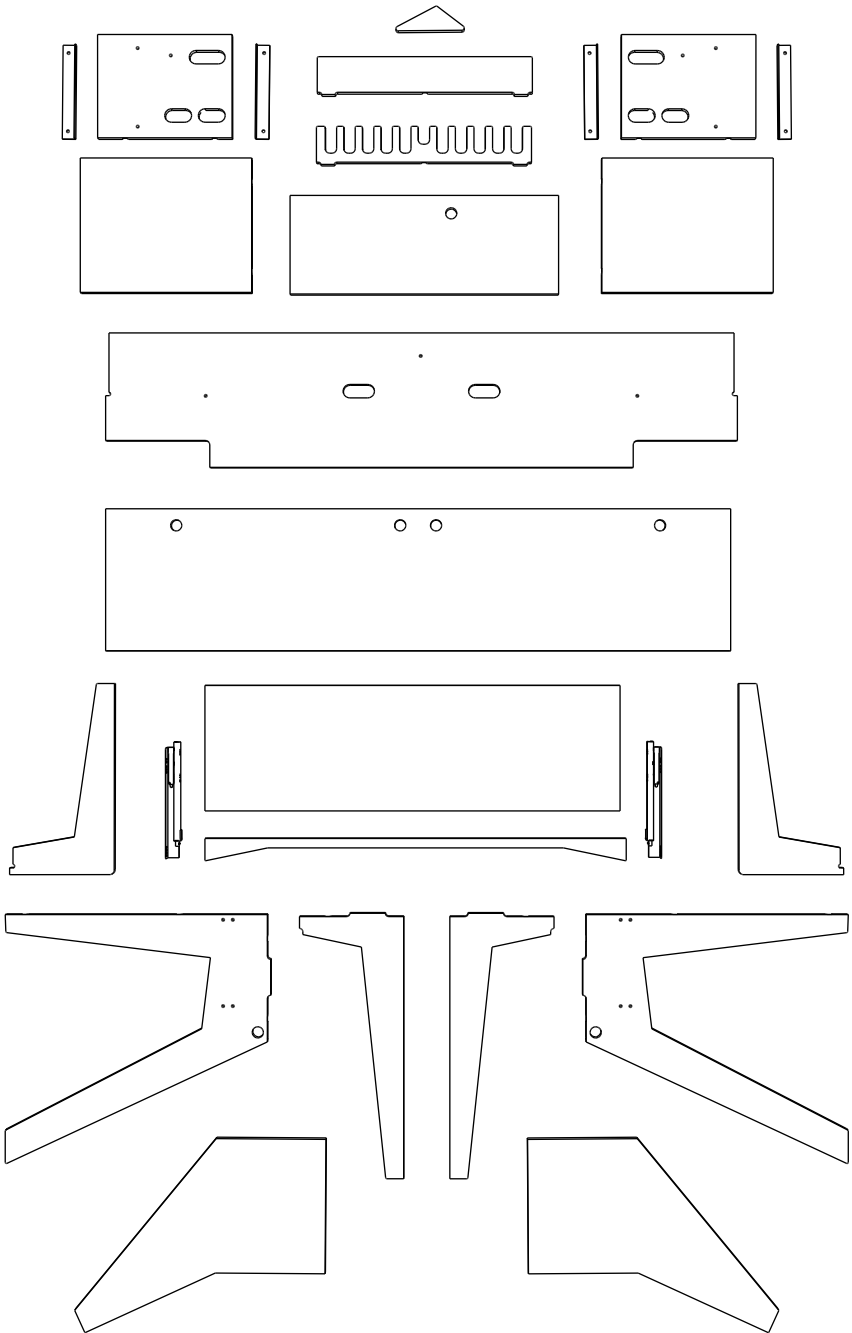
For additional resources, access the instructional video at <https://www.sondhus.com/arvoassembly-2023>

PREPARE SURFACE

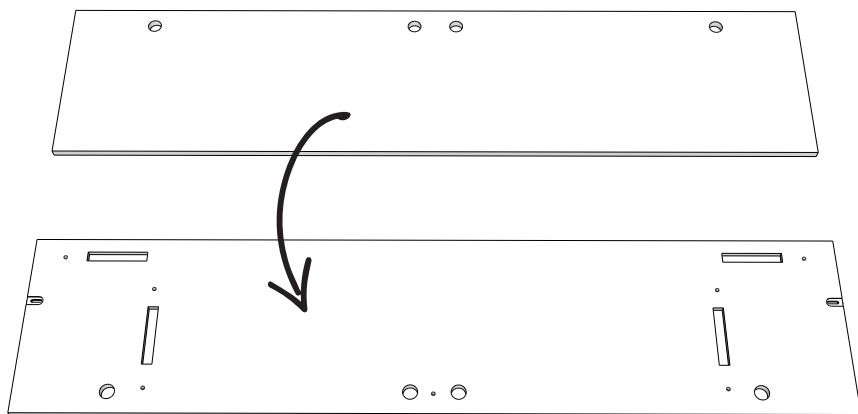


TOOLS

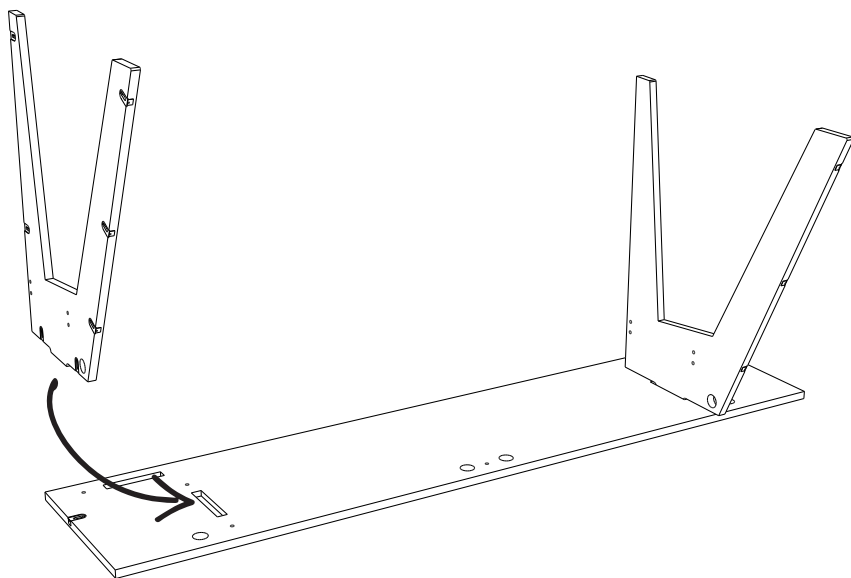




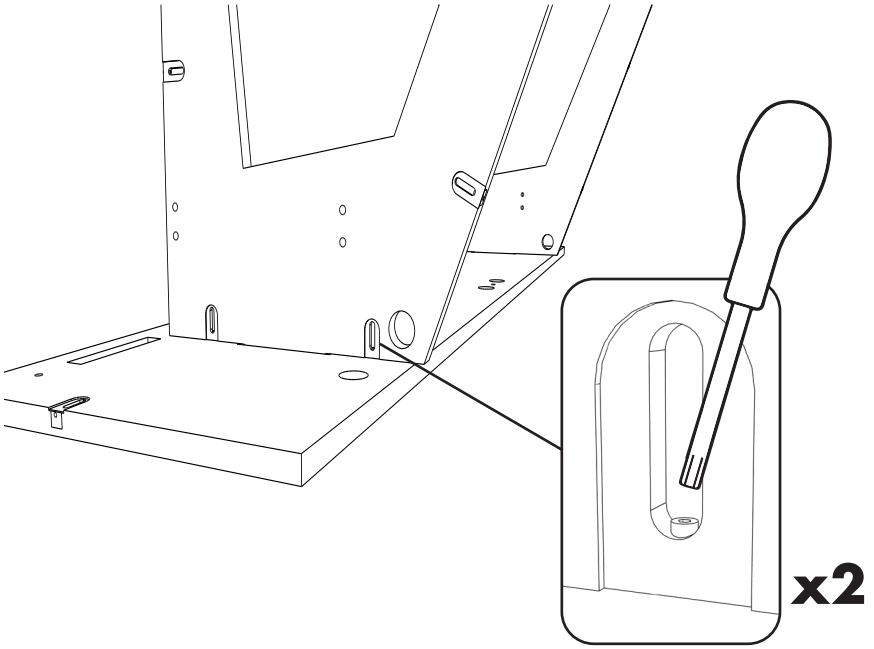
1



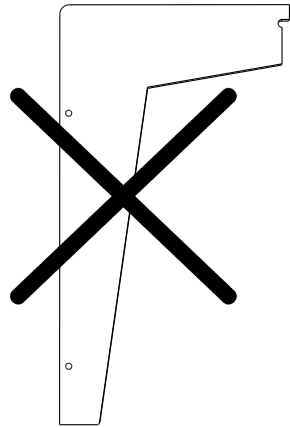
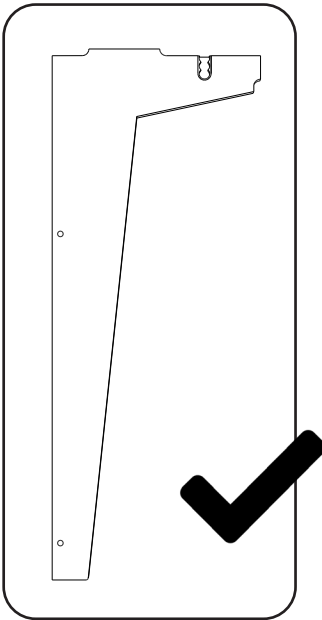
2

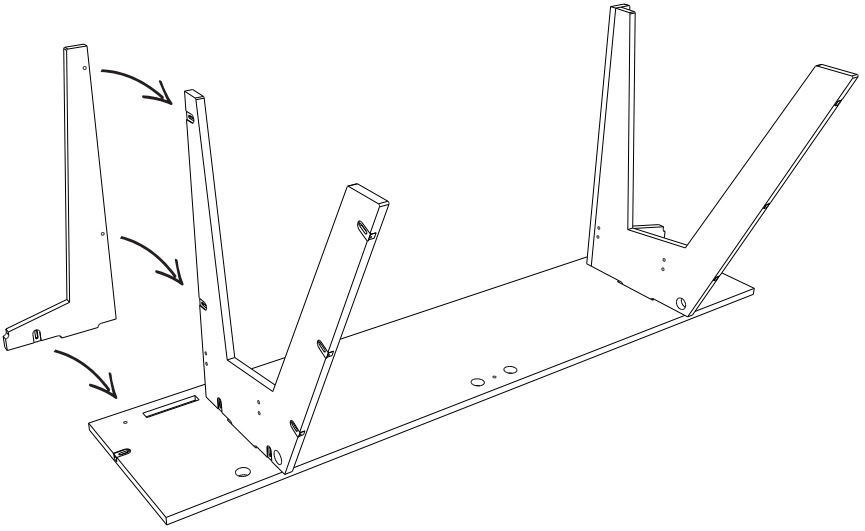


3

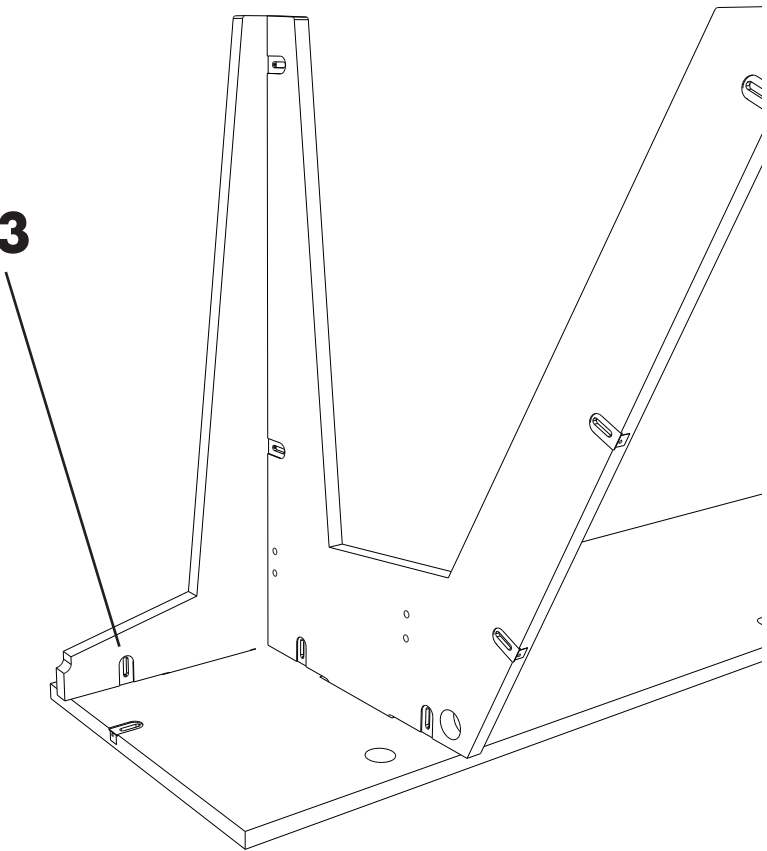


3

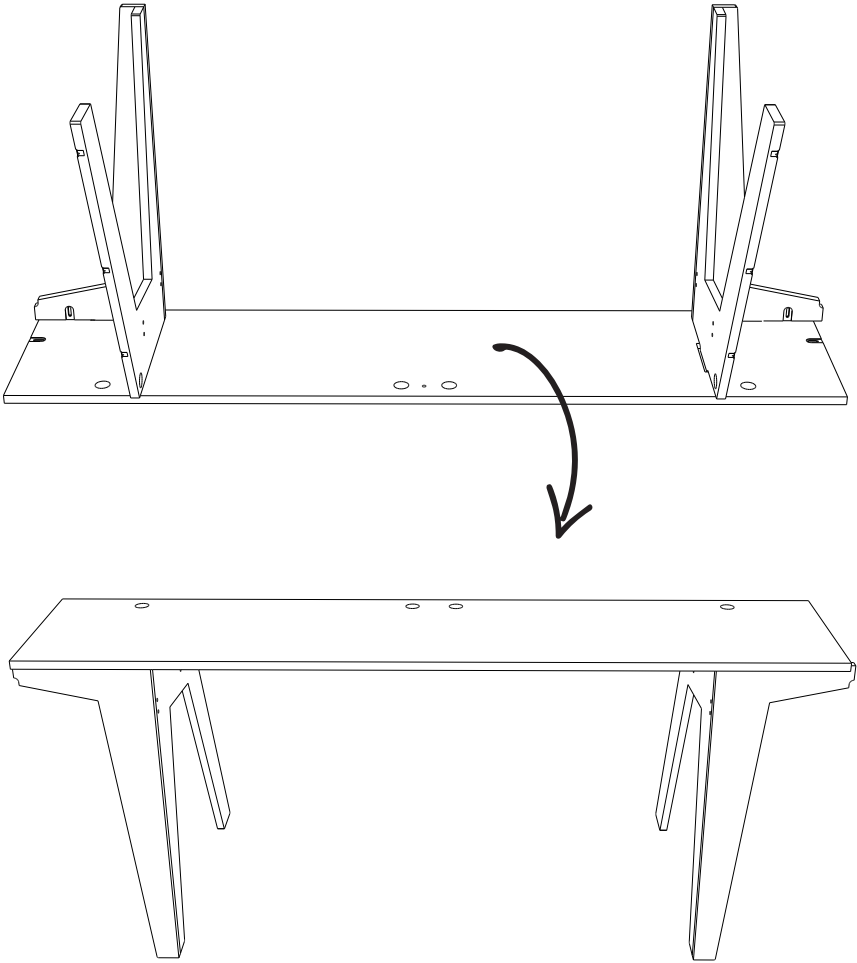




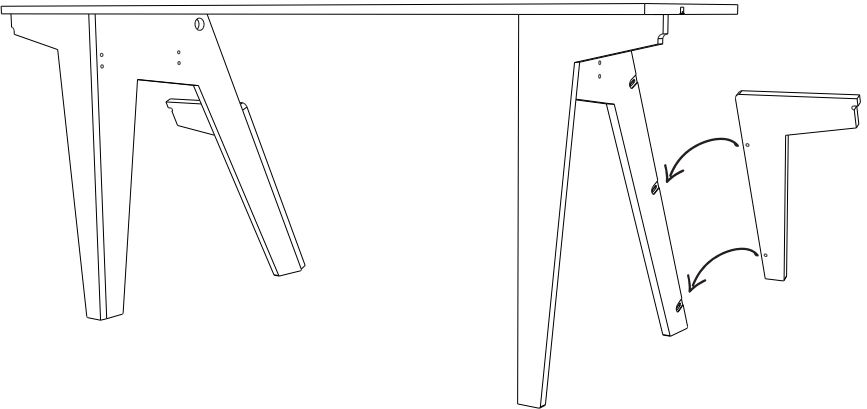
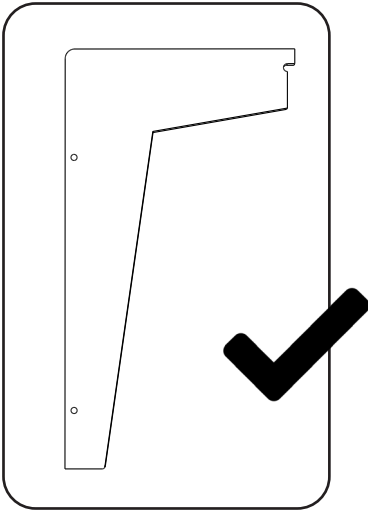
x3

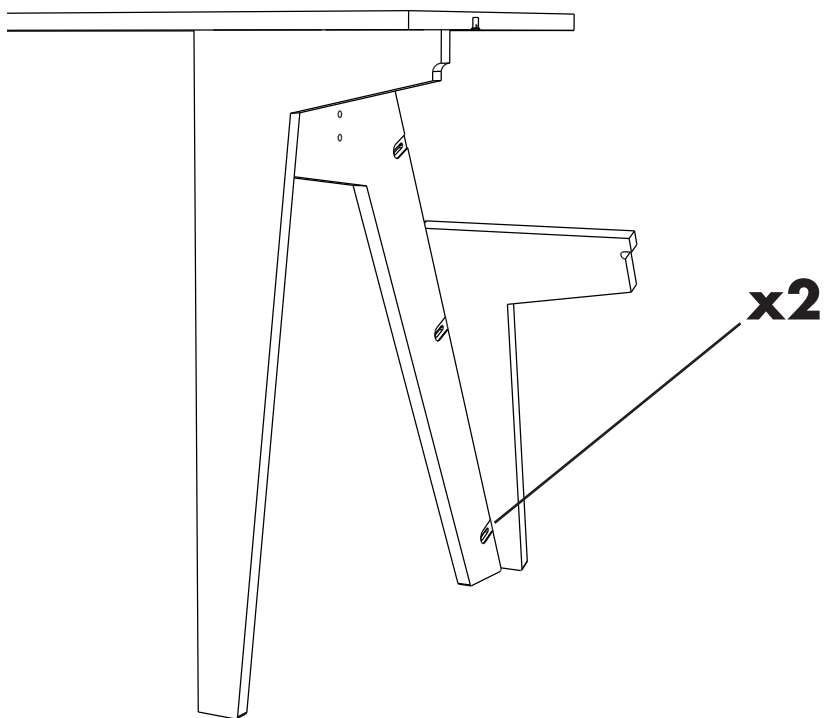


4

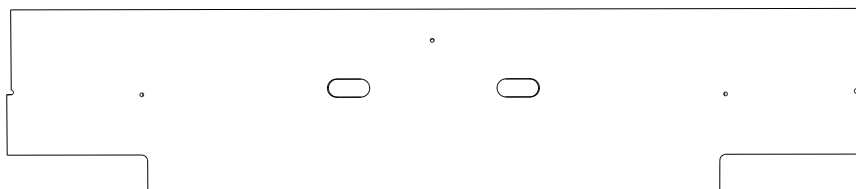


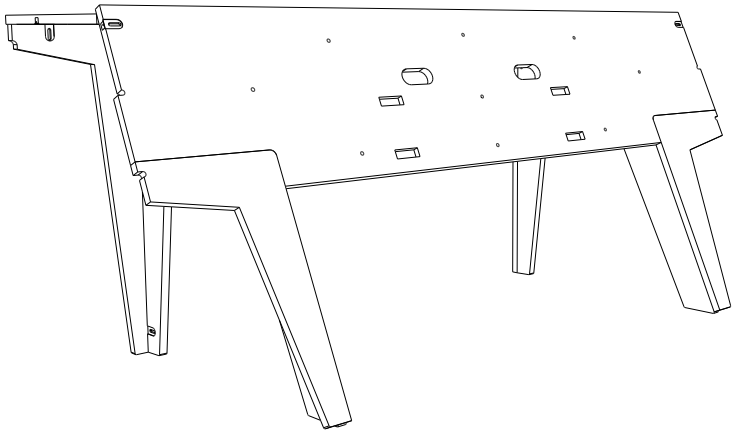
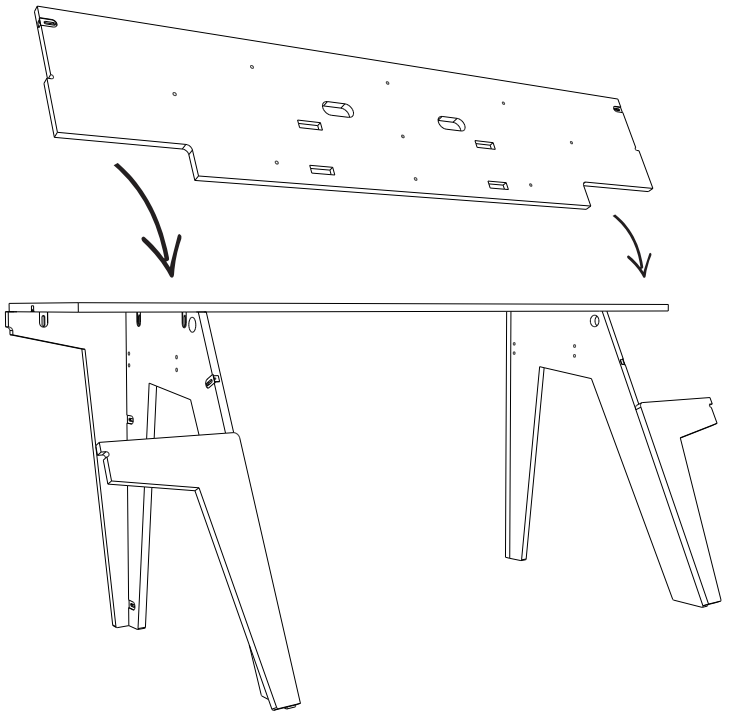
5

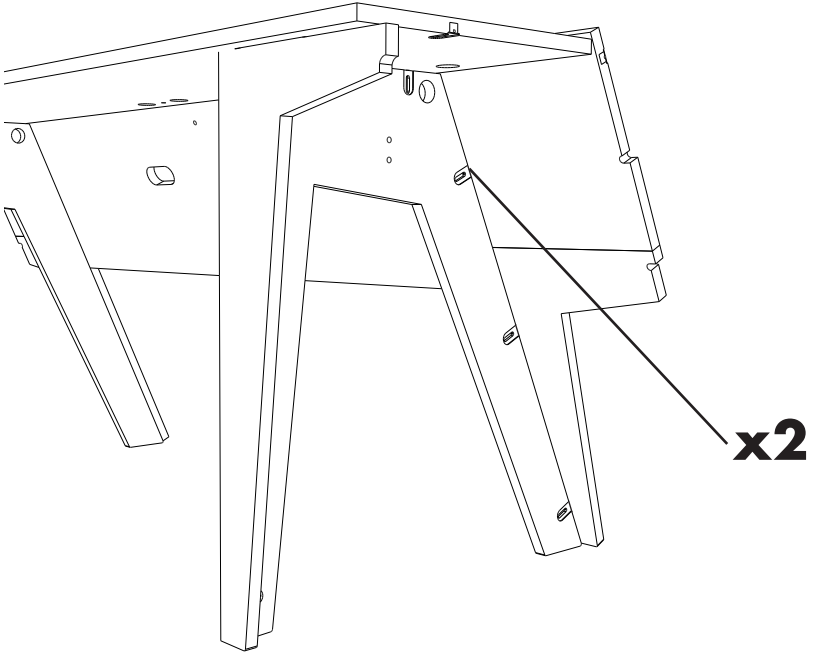




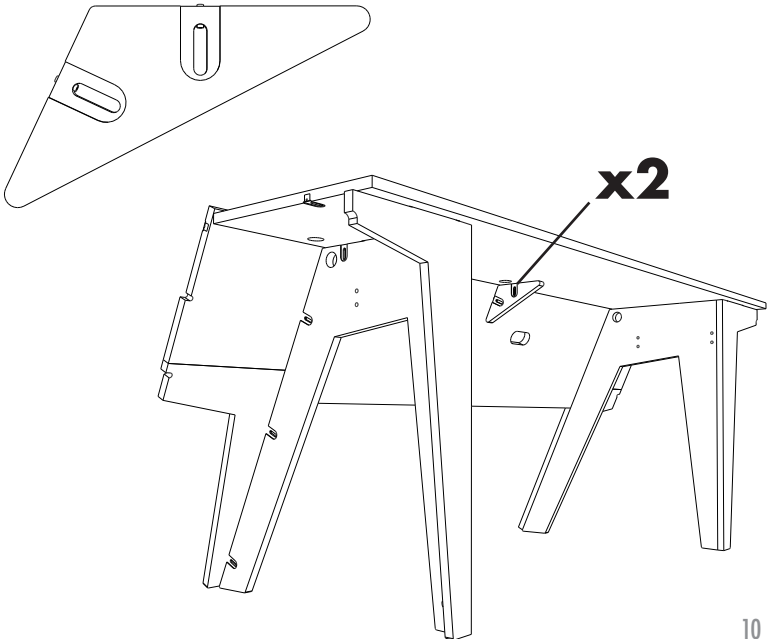
6



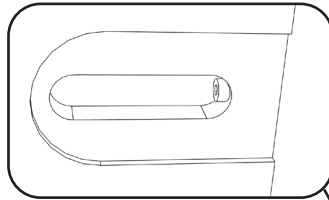
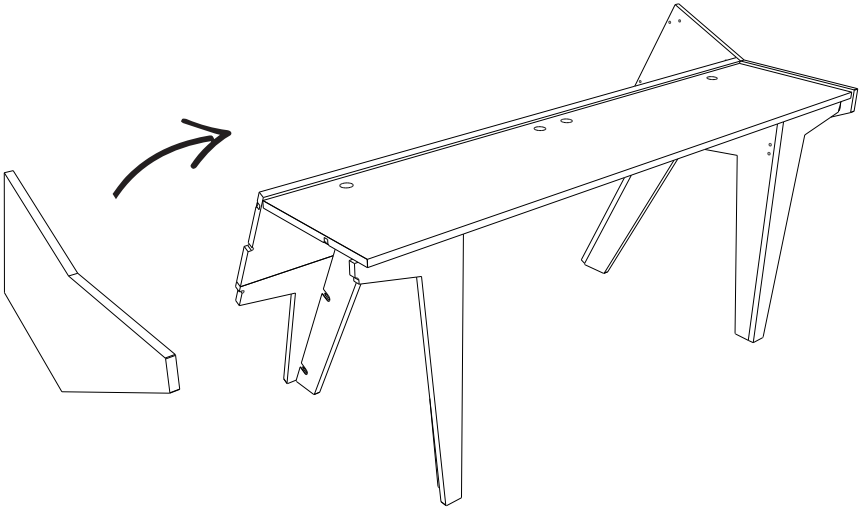




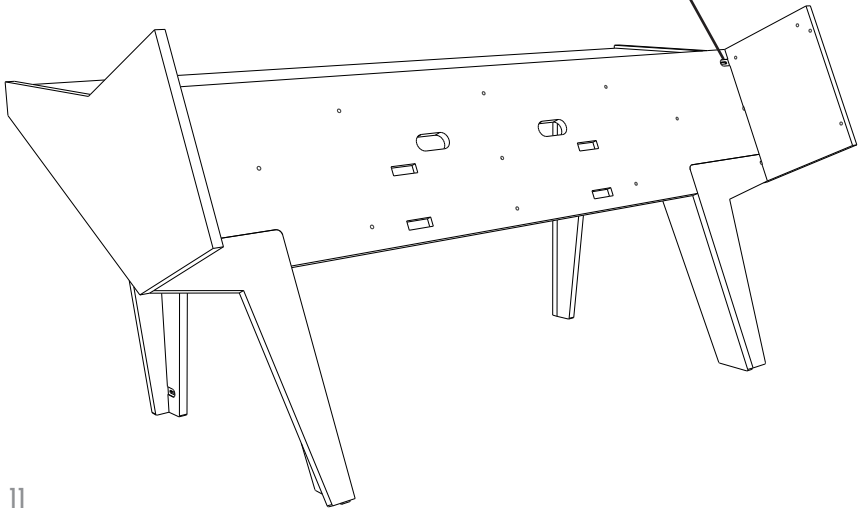
7

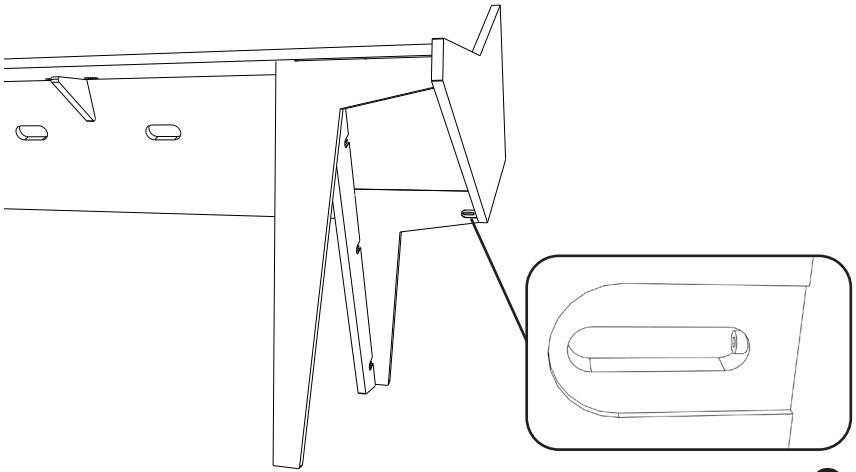
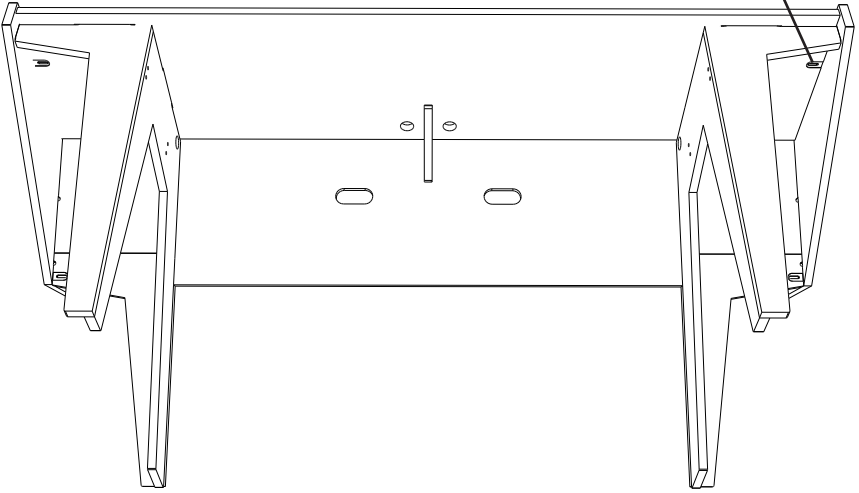
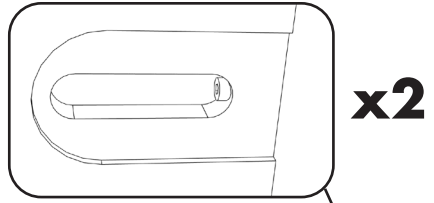


8



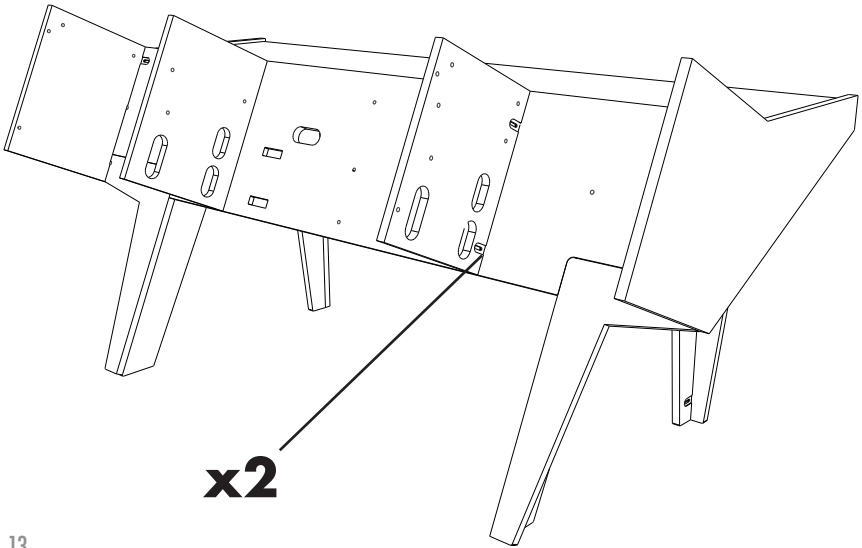
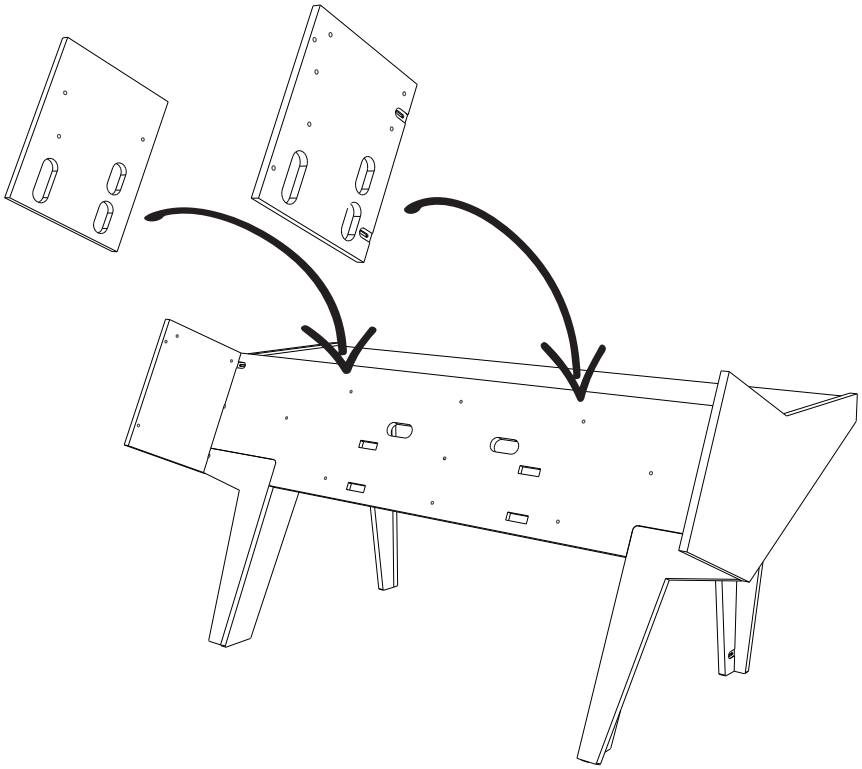
x2





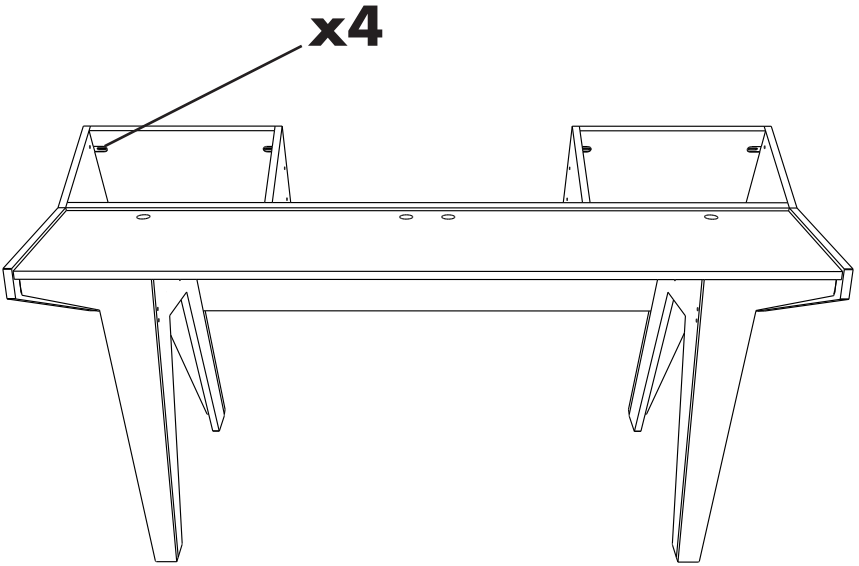
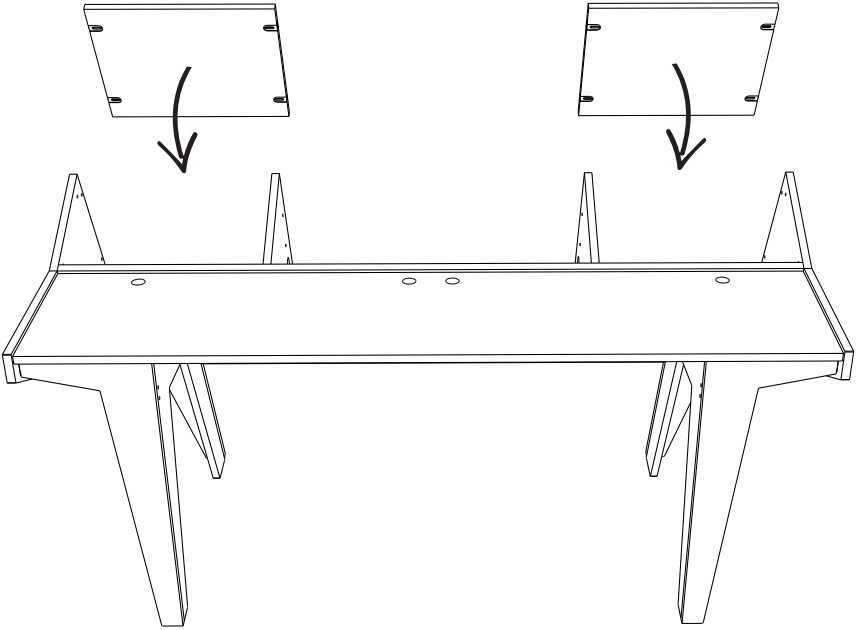
x2

9

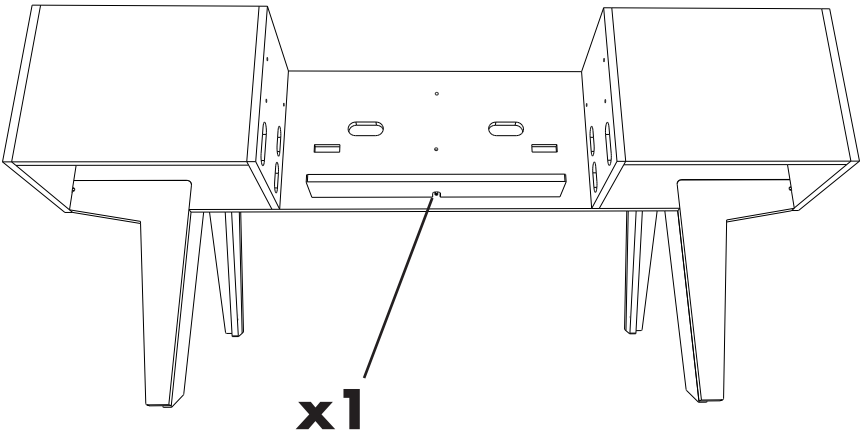
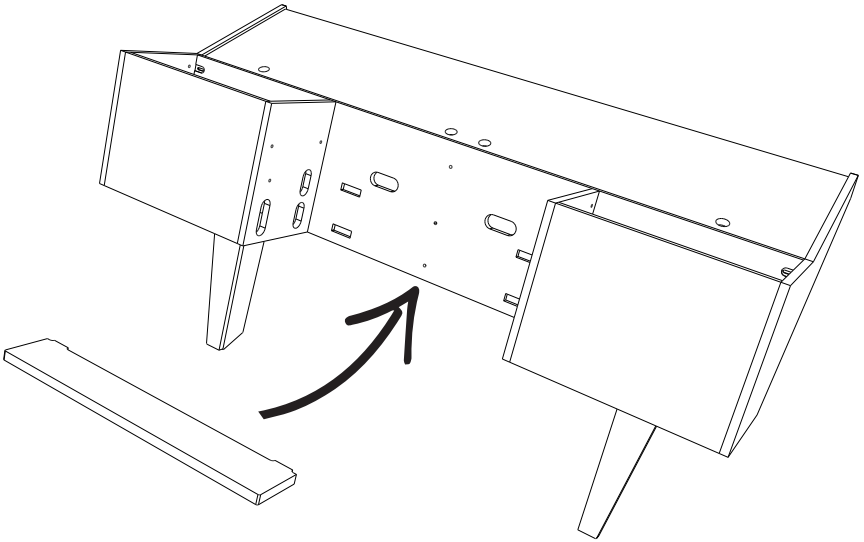


x2

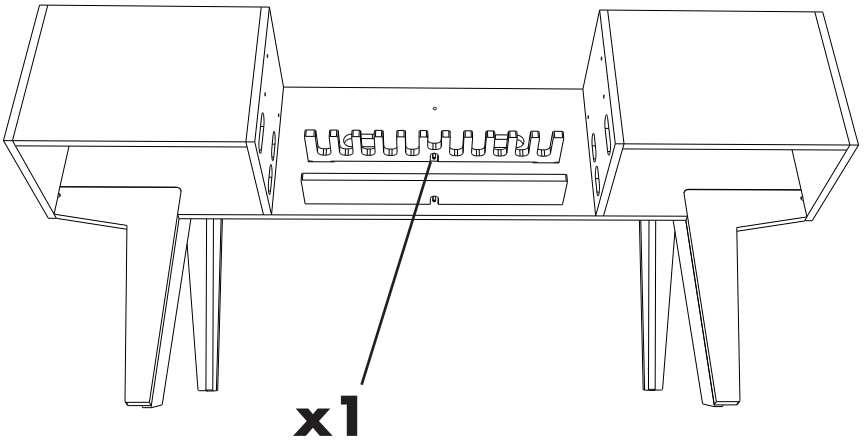
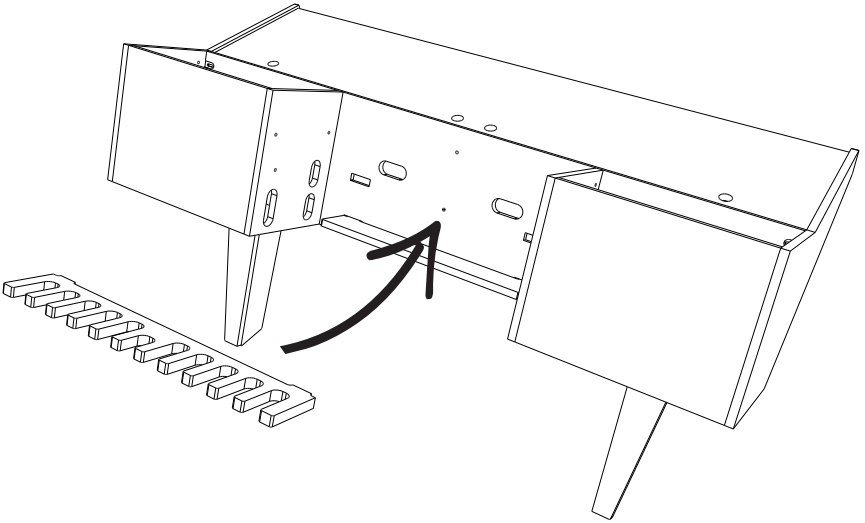
10



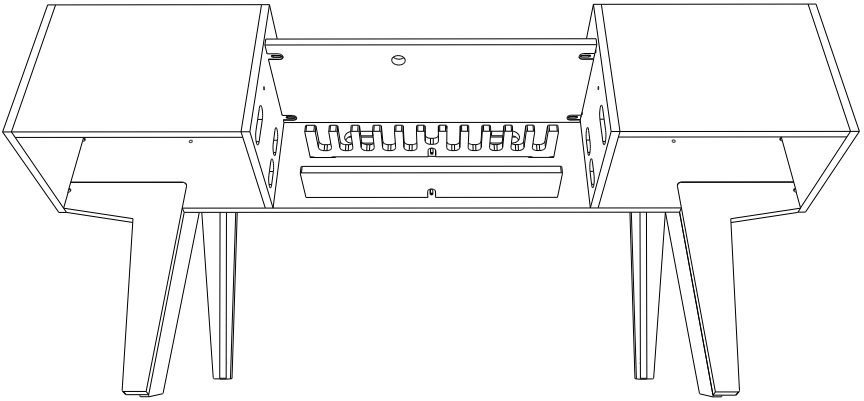
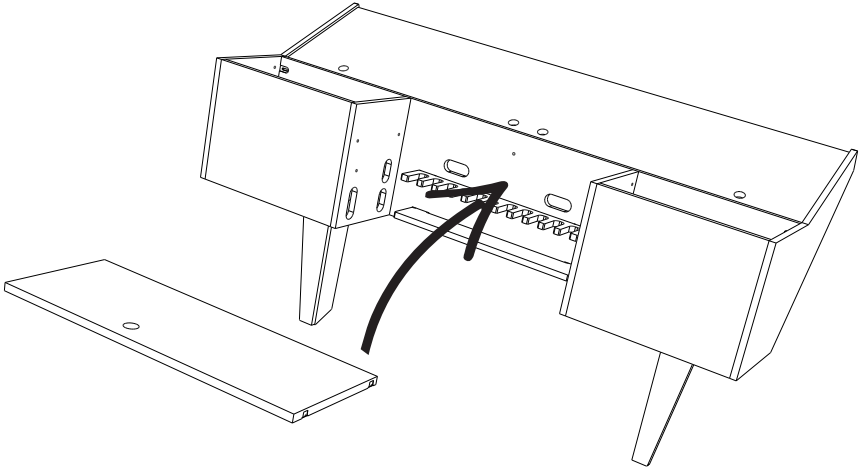
11

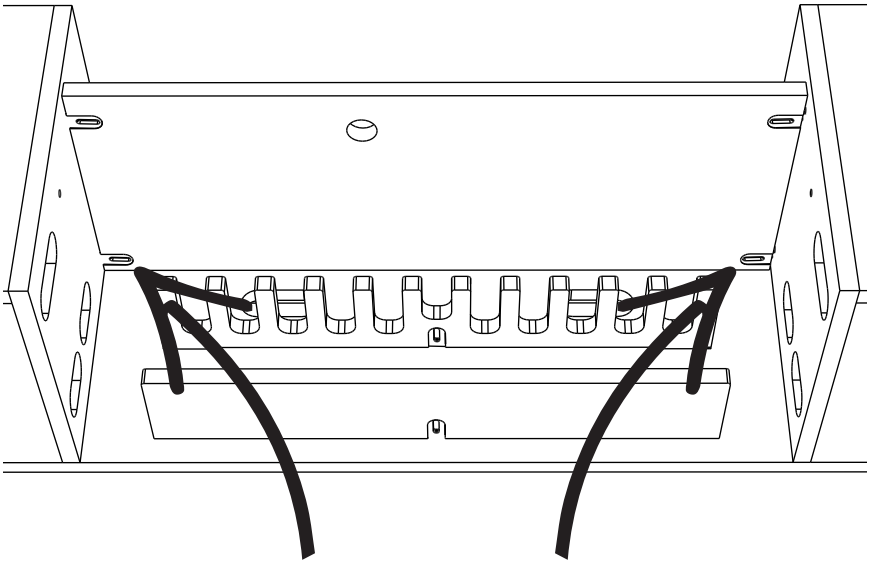


12



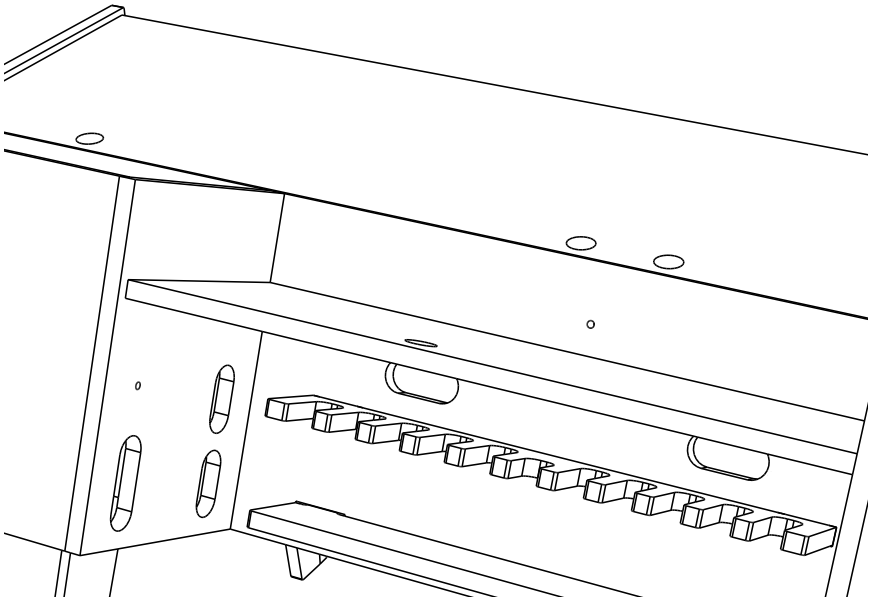
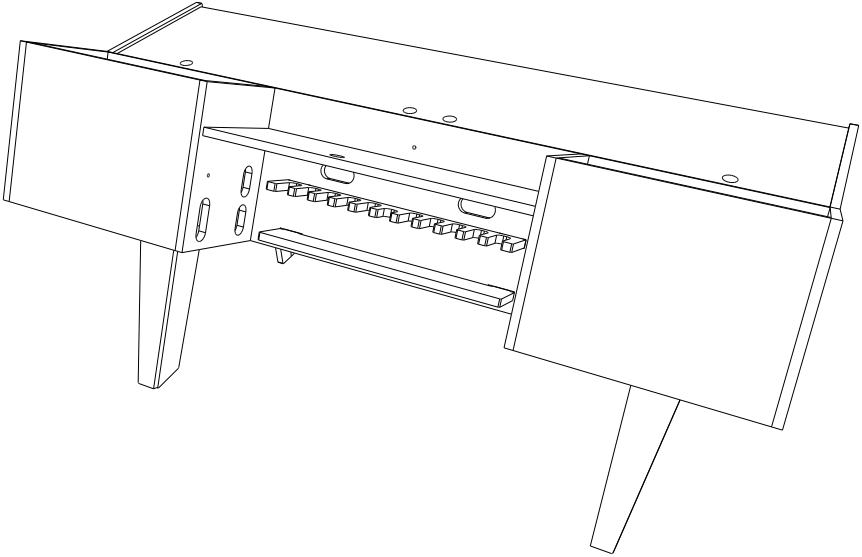
13



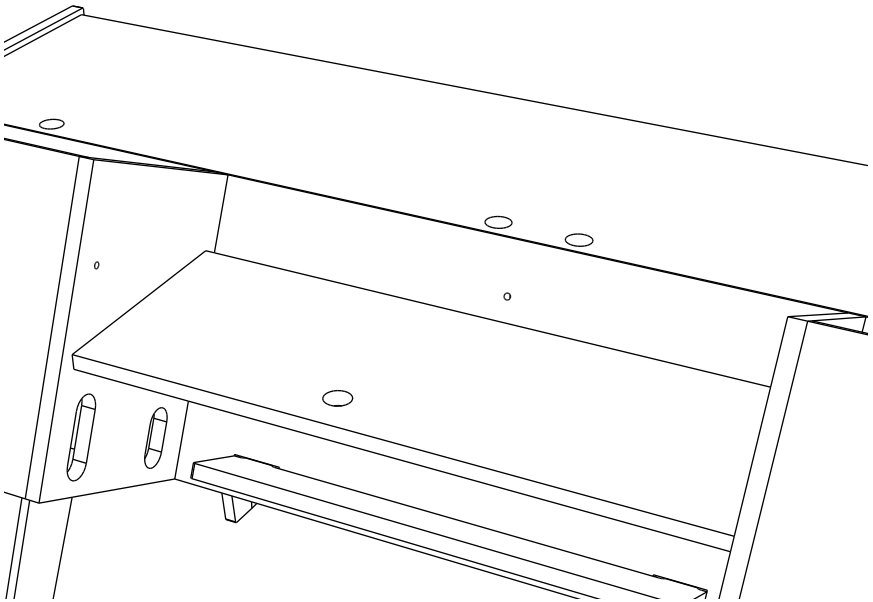
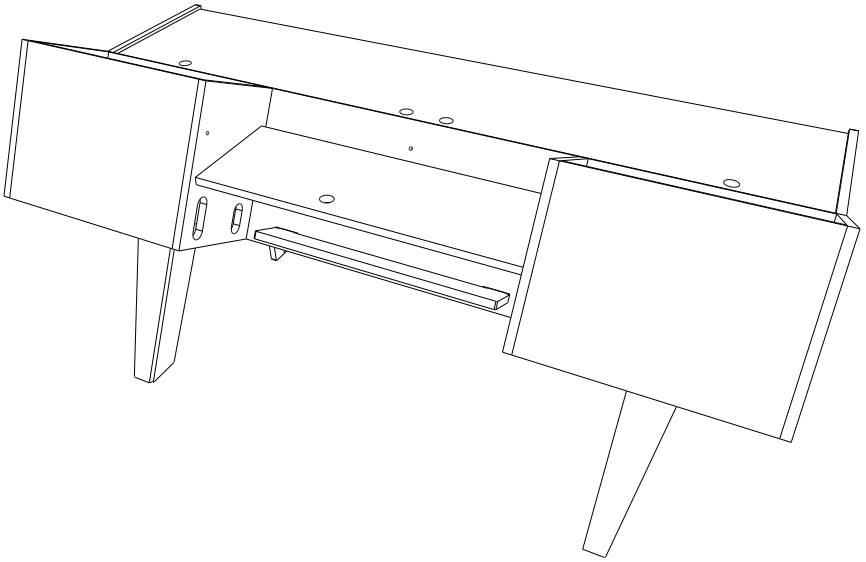


Secure the 2 interior fasteners before determining the monitor shelf orientation.

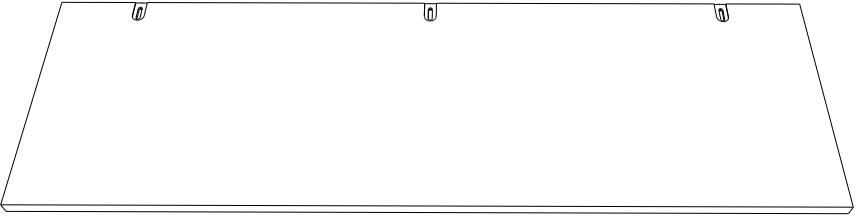
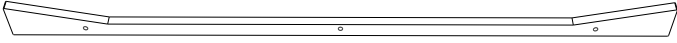
Angled Monitor Use



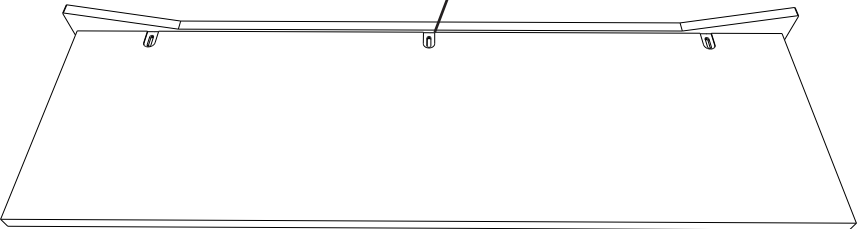
Standard Monitor Use



14

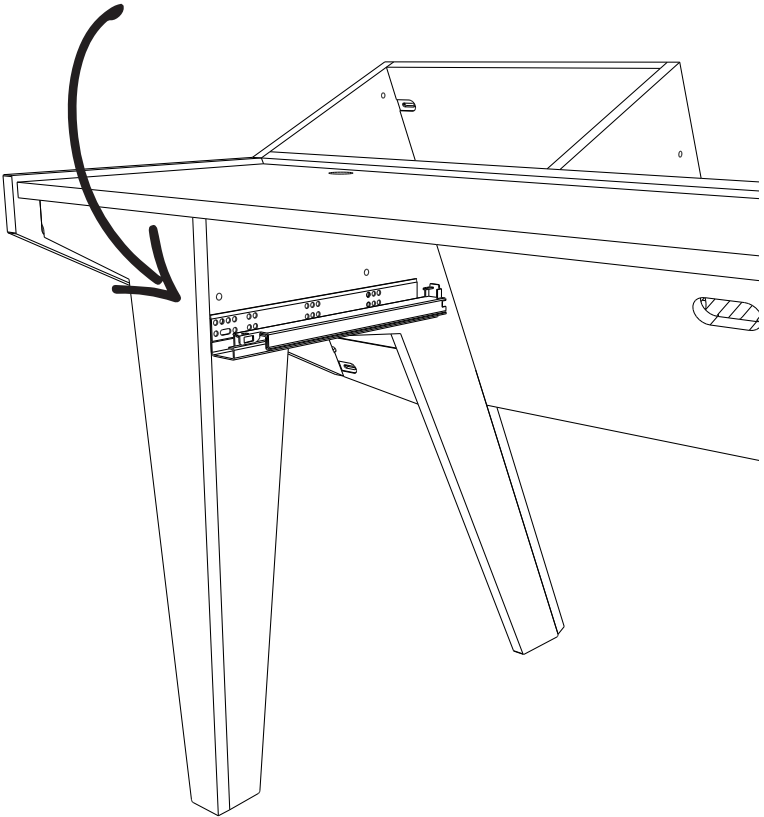
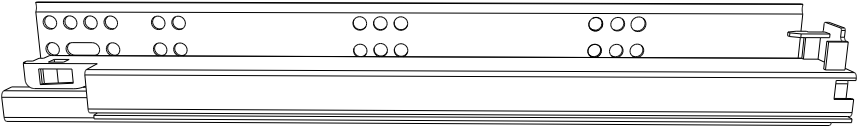


x3

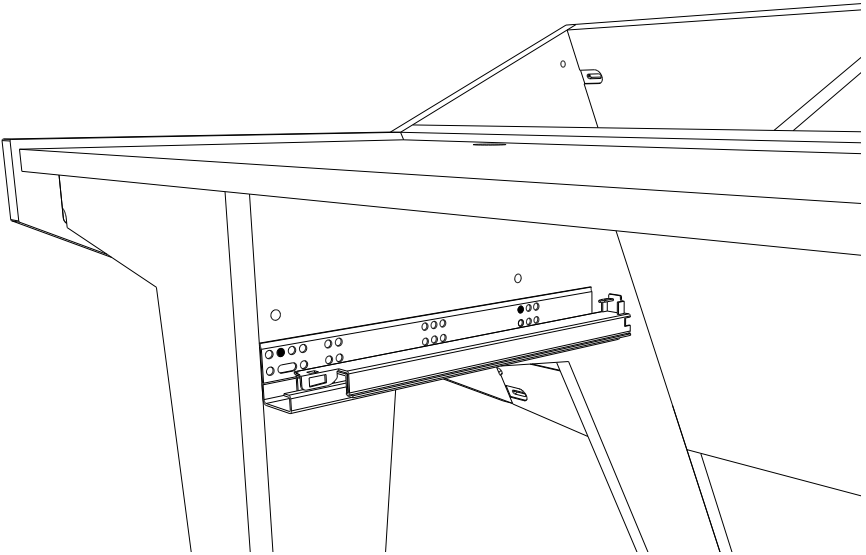


15

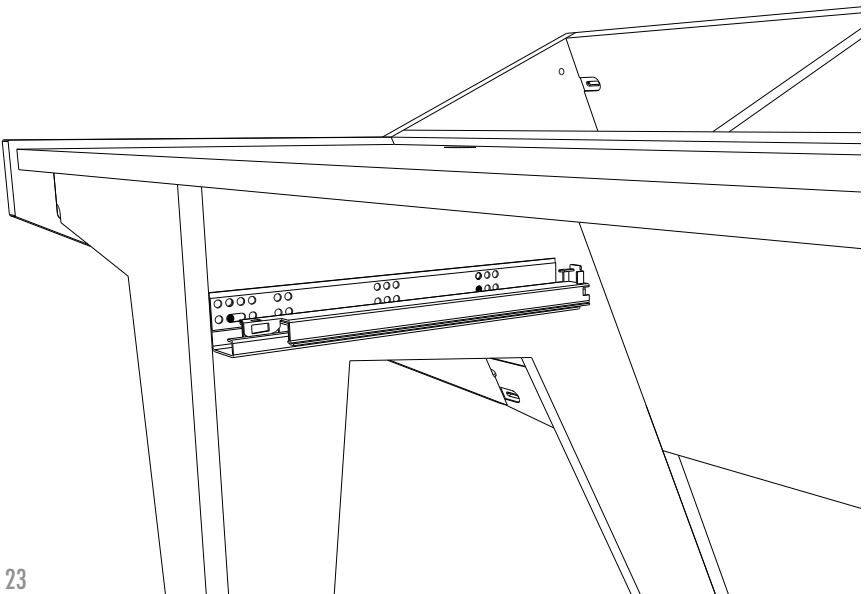
 qty.4



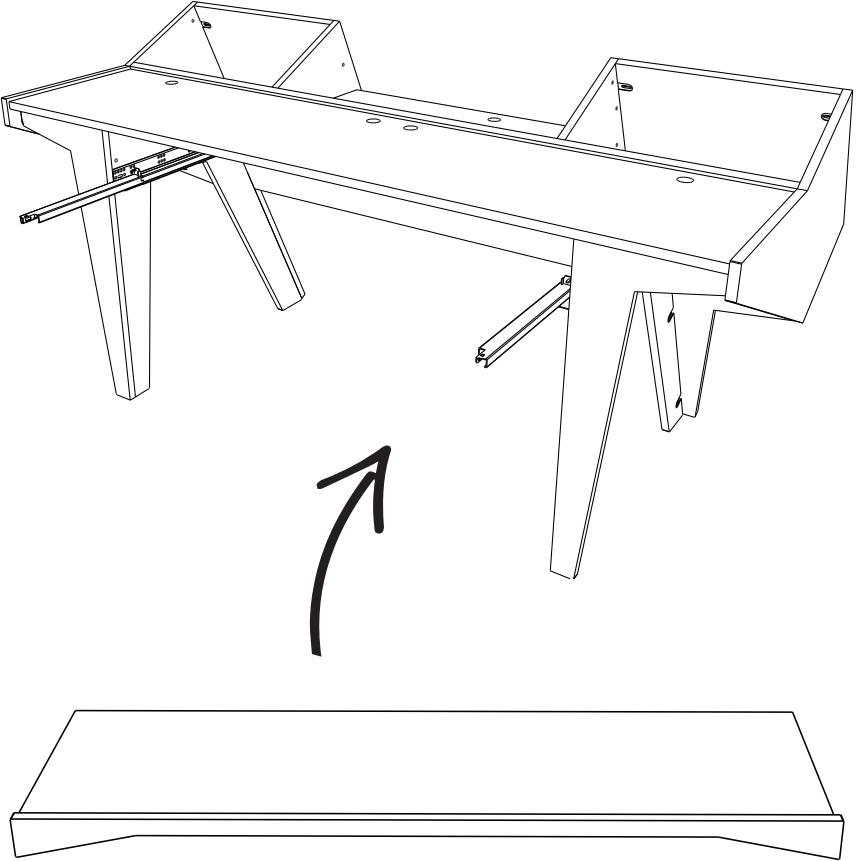
Low Mount Keyboard

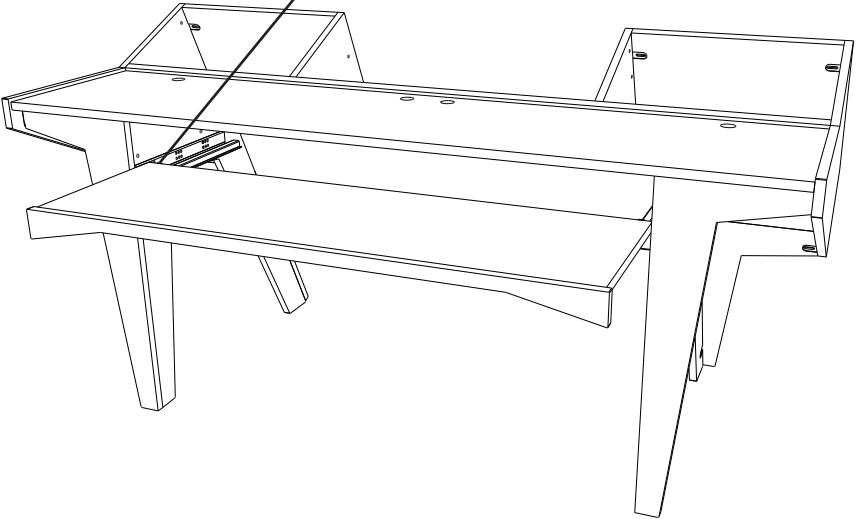
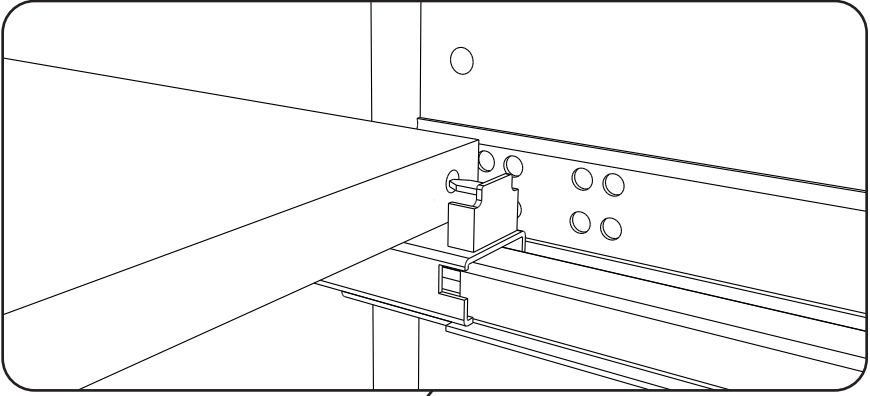


High Mount Keyboard



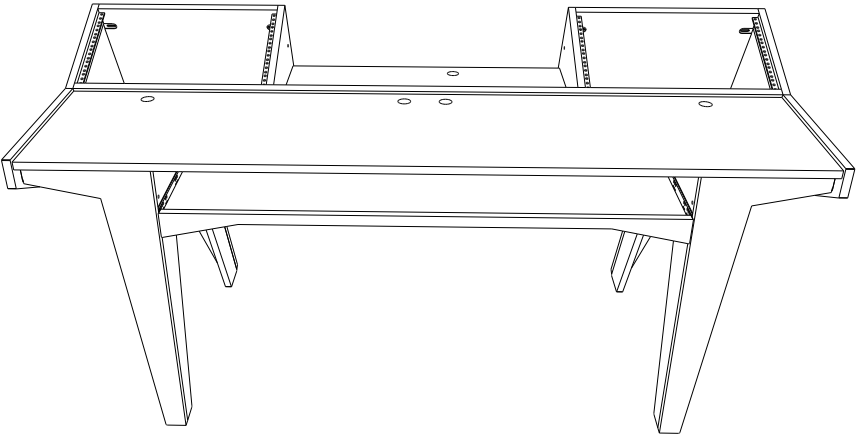
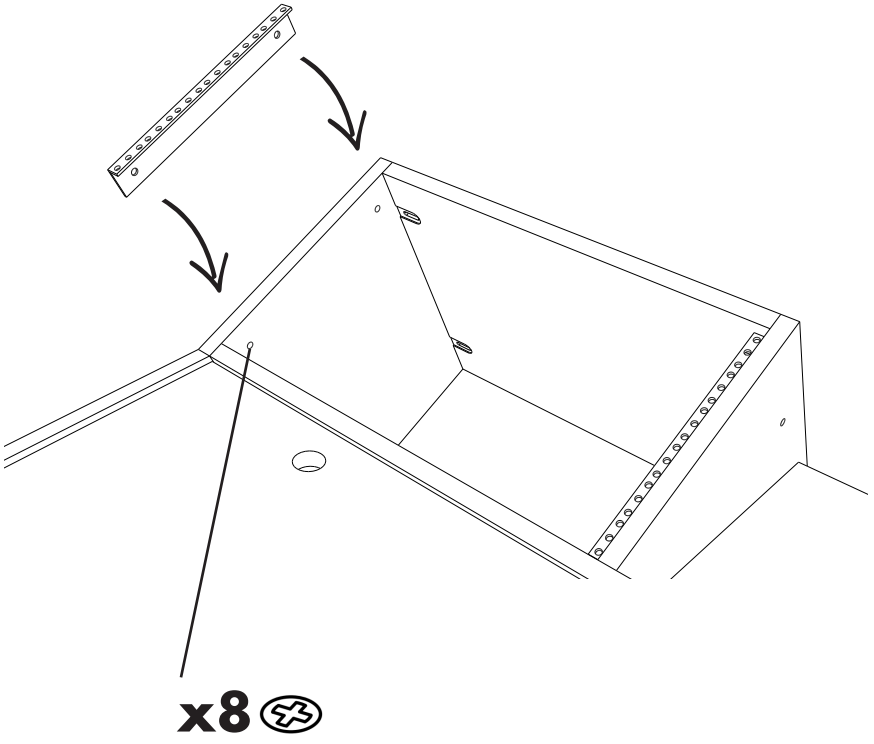
16



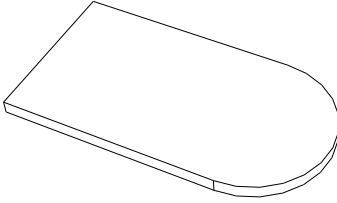


To secure, push the keyboard tray until the front latches engage and click into place.

17



18



qty. 43

